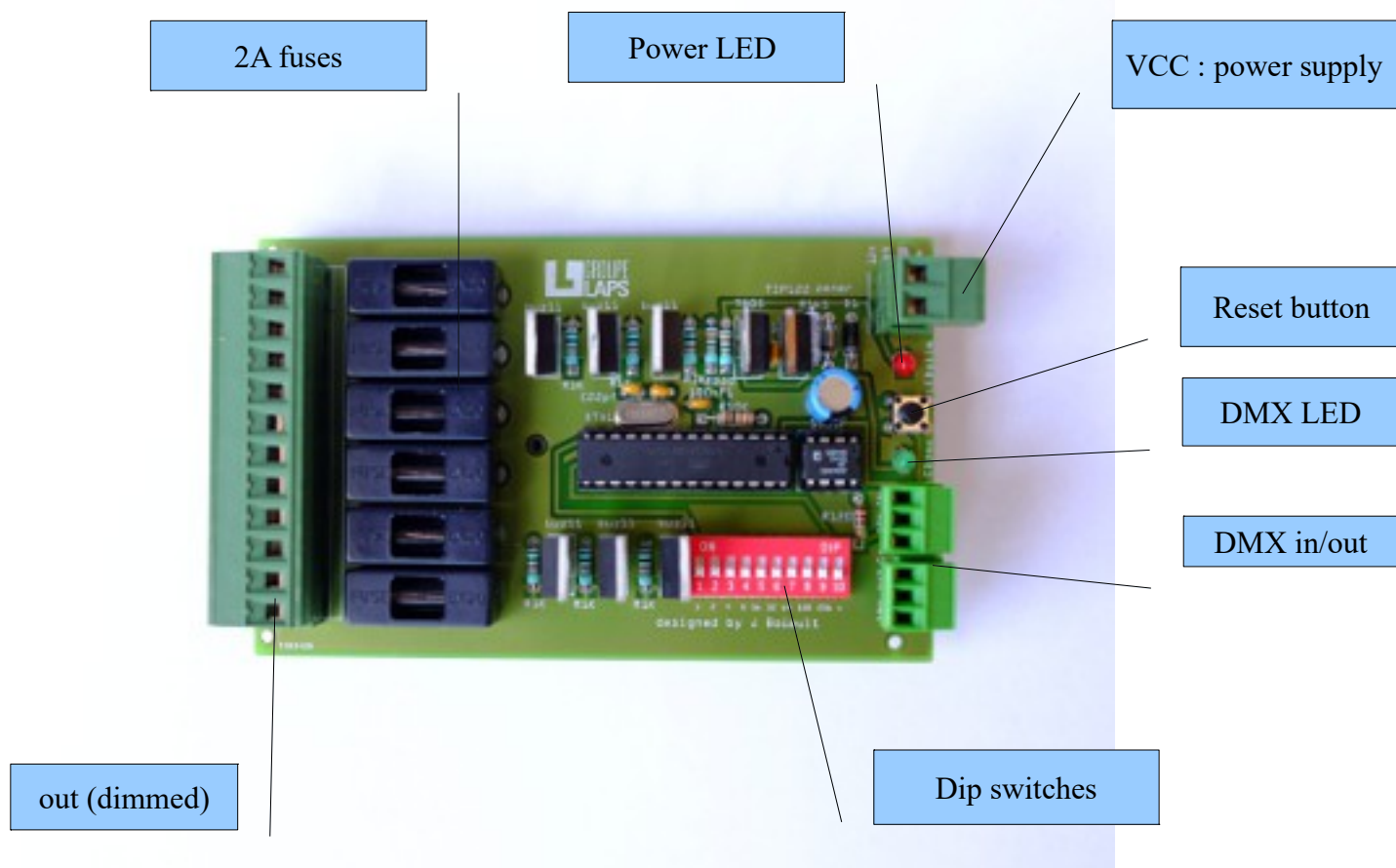


Grada laps

user guide

-1- Description



- Dimmed outputs: 6 outputs to dim LEDs but also small lamps, electro magnets, motors ... on a limit of 2 amps, 24V.
- Fuses : the grada laps is protected by 6 glass fuses, 2 Amps, 5x20mm.
- Dip switches : defines your grada laps start address.
- Reset button :
When you change the start adress with the dip switches, it will be done after you press the reset button.
- DMX in/out
To get DMX. You need an [XLR adapter](#) to be connected on DMX array .

- VCC : power supply :
The grada laps needs an AC power supply, with a 6 / 24V voltage. It must be able to give a little more Amps than the LEDs needs. Feel free to oversize a bit.
- DMX LED :
The green LED blinks when it gets DMX.
- Power LED :
The red LED lights up when the grada laps is powered.

-2- Connection

Connecting grada laps is pretty easy. Plug your power supply to VCC respecting polarity. The red LED should light up . In case of reversal, the card is protected but the red LED will not light up.

With an [XLR adapter](#), connect DMX in and out if you need it. If DMX is received, the green LED will blink quickly.

Finally, connect your LED to dimmed outputs according polarity (in case of error the only consequence will be that your LEDs does not light ...).

These connections are facilitated by removable terminal blocks which equips the grada laps. So unplug it, connect, and replug it.

-3- Adressing

To use the 6 outputs, the start address must be between 1 and 507

If you choose 107 as start adress for example, the 6 outputs will respond to DMX channels 107, 108,109, 110, 111 and 112.

If you are not familiar with the dip switches and binary notation (we understand you!), the easiest way is to use an [online converter](#) or one of many smartphone application ([android](#), [apple](#), [windows](#)...).

To set the address, only 9 dip switches are used. In normal use, the tenth switch must remain in upper (on) position. If the tenth dip switch is down (off), all the output will illuminate to full if DMX received and will go off in the opposite case.